

12-port Gigabit POE Switch, 802.3af/at, 120W

12-Port Gigabit incl 8x30W PoE, 2x1.25G SFP, 2x1000T

POE-GSH822-120

airlive®



802.3af/at
30w

Gigabit
RJ45 & SFP

Plug&Play

PoE
Priority

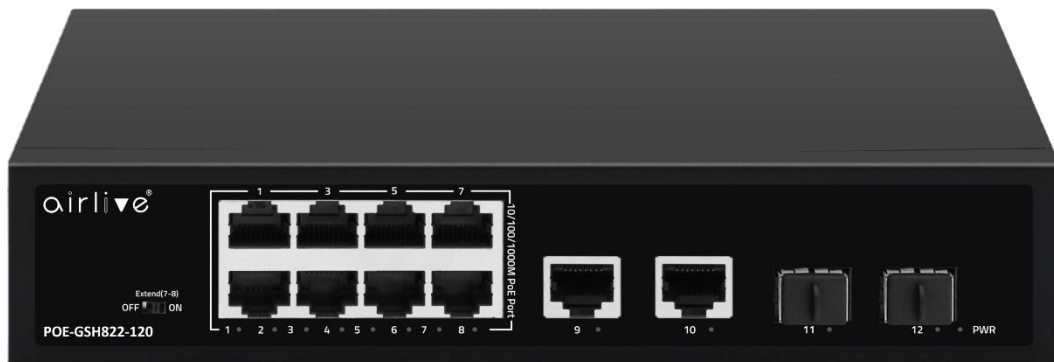
Extend Mode
250m

Surge / ESD
protection

Overview

12-Port Gigabit PoE+ Switch with PoE Priority, Extend mode and SFP/RJ-45 port

The AirLive POE-GSH822-120 Gigabit switch is compliant with 802.3af(15W)/802.3at(30W) It supports 8 PoE ports and 4 Gigabit uplink ports 2x RJ45 or 2x SPF Fiber. Total of PoE power is 120W. The AirLive POE-GSH822-120 switch is a plug and play unmanaged PoE switch with PoE Priority and 250meter cabling extension, which can be easily set up via its DIP switch. The four Gigabit Uplink ports (2x SFP and 2x RJ-45) help with connecting the switch to a larger network making the it the most cost-efficient client switch for various applications at Home or Office. Connect several PoE devices to the switch, Access Points or normal IP cameras can connect to any of the PoE ports on the switch and be powered on up to max 30W (at).



DIP Switch

PoE port Gigabit
Port-30W port 1~8

Gigabit Uplink

SFP Gigabit

Features

- All 12-port, each port delivers Gigabit high speed
- 8 x PoE port up to 30W, 4 x Uplink Port
- PoE Priority
- Extend the network further with 2 SFP slots that accept fiber transceivers and go beyond the limits of Ethernet
- PoE power, supports 802.3af/at PoE+
- Internal Power 120W
- Extended Mode: transmission of up to 250M in Extend Mode Setting by hardware DIP switch
- PoE Watchdog in Extended mode
- Surge Protection; ESD Protection

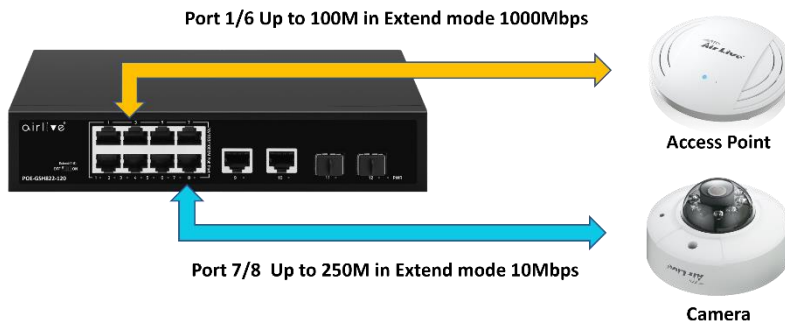
Efficient PoE technology AT PoE with PoE Priority.

Connect several PoE devices to the switch, for example Access Points or normal IP cameras can connect to any of the PoE ports on the switch and be power on up to max 30W (at).

PoE Priority is supported for the PoE Power from port 1~8, this can be helpful for a IPCAM or high priority preferred device. This function is turned on by default.

Extend Mode

Extend mode: The POE-GSH822-120 switch can be set in Extend mode to reach a distance of up to 250m, this can be very useful in locations where it hard to get power to turn on your PD device. The Extend mode makes this easier. The Extend mode is only for Port 7 and 8 on the switch and when enabled the transmission rate will be 10Mbps. PoE Watchdog will also be Enabled.



UTP PoE and Data 1000Mbps Port 1/6

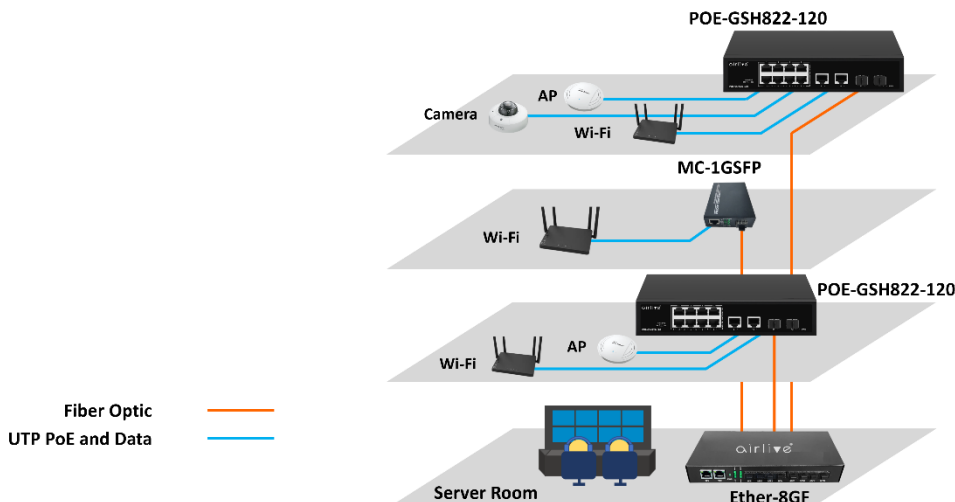


UTP PoE and Data 10Mbps Port 7/8



Fiber backbone for Long Distance and Interconnect between floors

Extend the network further with SFP slot. Use the POE-GSH822-120 fiber port to connect different floors together in a large building or to the main office over a longer distance. Depending on the module used it can reach up to 20KM in speed of 1250Mbps data transmission.



Fiber Optic



UTP PoE and Data



Model	AirLive POE-GSH822-120
<p>Hardware</p> <ul style="list-style-type: none"> • Device Interface: 8 x 30W PoE 10/100/1000 RJ-45 Auto MDI/MDI-X 2 x Uplink Gigabit port RJ45 Auto MDI/MDI-X 2 x Uplink Gigabit SFP Auto MDI/MDI-X • Standard IEEE802.3u 100Base-TX / 100Base-FX IEEE802.3ab Gigabit 1000Base-T IEEE802.3z Gigabit SX/LX (Optical fiber) IEEE802.3at/af PoE IEEE802.3x IEEE802.3az Energy Efficient Ethernet • Industry standard compliant EMI: FCC Part 15 CISPR (EN55032) class A EMS: EN61000-4-2 (ESD), EN61000-4-5(Surge) • LED Indicators: PWR (Power), 1-12 Green LED (Link & Data) • Mechanical Metal <p>Surge and ESD protection</p> <p>Support Surge protection: Common mode 4KV; ESD: Air 8KV, Contact 6KV.</p> <p>Power and PoE</p> <ul style="list-style-type: none"> • Protocol: IEEE802.3at (30W), IEEE802.3af (15.4W) • PoE Port: 8 • PoE Power Output / PoE Port: max. 30W (port 1~8) • PoE Power/ Switch: Product power: ≤10W, POE power: ≤110W <p>Switch Architecture Performance</p> <ul style="list-style-type: none"> • Fiber Medium Multi-mode Fiber: 850nm, 1310nm Transmission Distance: 550m/2Km Single-mode Fiber: 1310nm, 1550nm Transmission Distance 20/40/60/80/Km • Switching architecture: Store and Forward Switch Capacity: Back-plan up to 24Gbps Forwarding Rate; 17.856Mpps MAC Address: 2K Packet Cache: 448Kbit Jumbo Frame: 9216bytes Transfer mode: Store and forward MTBF:100000 hour 	<p>DIP Switch Control</p> <ul style="list-style-type: none"> • Default: Normal mode, all port can communicate with each other, the transmission distance is within 100m, the transmission rate is 10M/100/1000M adaptive • Extend: Extension mode, PoE power supply and data transmission distance can be extended to 250 meter at the transmission rate 10Mbps Port 7~8 only. PoE Watchdog will also be enabled when the Extend mode is in use. Port AI mode is enabled. <p>Power Supply</p> <ul style="list-style-type: none"> • Input Voltage: AC 100-240 V 50-60Hz • Internal Power Supply: 52V/2.3A <p>Environment</p> <ul style="list-style-type: none"> • Operating Temperature: -10°C~+50°C • Storage Temperature: -40°C~+70°C • Operating Humidity: 10%~90%, non-condensing • Storage Humidity: 5%~95%, non-condensing <p>Standard package of switch</p> <ul style="list-style-type: none"> • Product size: 22 x 16.1 x 4.45cm(L*W*H) • Package size: 31.5 x 21.5 x 8.5cm(L*W*H) • Product Weight/Package Weight NW: 0.92kg; G.W:1.22kg • Package content: 1 x Switch, 1 x Power Cord. <p>Standard carton package</p> <ul style="list-style-type: none"> • Quantity: 10 pcs / 1 carton • Dimensions 44.5 x 44.5 x 33.5 cm • Carton Weight 13.2Kgs <p>Ordering Information</p> <ul style="list-style-type: none"> • Model: <u>POE-GSH822-120:</u> 8 x PoE 10/100/1000, 2 x 1000T, 2 x 1G SFP slot, 120W

* Specification will be changed without prior notice

